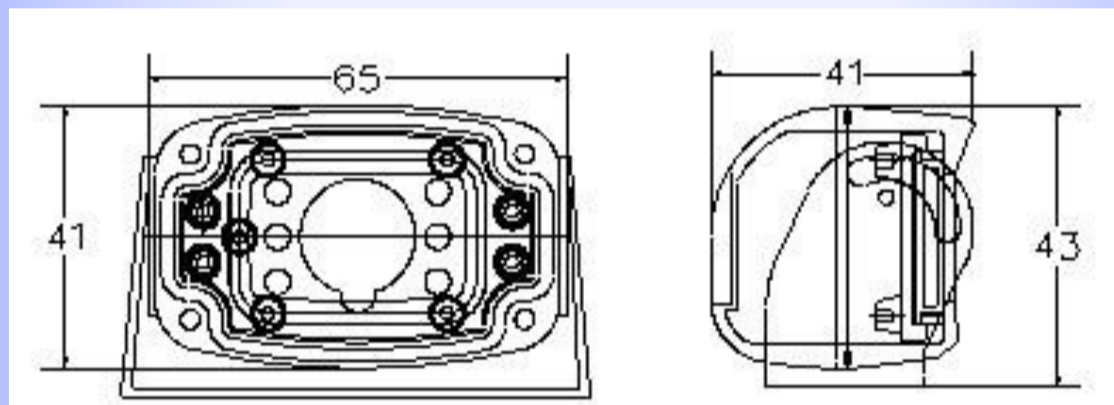


# PR-505C90



2.5 in. (W) X 1.6 in. (H) X 1.6 in. (D)

<b>MODEL</b>	<b>PR-505C90</b>
<b>Image Device</b>	<b>1/3" Interline Transfer CCD</b>
<b>Total Number of Pixels</b>	<b>542(H) ´ 492(V)</b>
<b>Number of Effective Pixels</b>	<b>512(H) ´ 492(V)</b>
<b>Video System (TV Mode)</b>	<b>NTSC</b>
<b>Resolution (Horizontal)</b>	<b>320 TV Lines</b>
<b>Video Output</b>	<b>Composite Video Output ( 1Vp-p, 75Ω, Unbalanced )</b>
<b>Minimum Illumination</b>	<b>0.1 LUX (F=2.0)</b>
<b>Electronic Shutter</b>	<b>1/60 ~ 1/10,000 sec 1/50 ~ 1/10,000 sec</b>
<b>Supply Voltage</b>	<b>DC +12V(±10 %)</b>
<b>Power Consumption</b>	<b>150 mA(Max)</b>
<b>Operating Temperature</b>	<b>-30°C to ~ 60°C / 22°F to ~ +140°F</b>
<b>Storage Temperature</b>	<b>- 40 ~ 75 ?</b>
<b>Dimensions</b>	<b>65mm (W) X 41mm (H) X 41mm (D)</b>
<b>Dimensions</b>	<b>2.5 in. (W) X 1.6 in. (H) X 1.6 in. (D)</b>
<b>Weight (Approx)</b>	<b>0.2kg Including bracket</b>
<b>Cable</b>	<b>10 meters, waterproof</b>

**Provix Cameras and Digital Recording Systems  
are available from your local dealer or  
online at  
[www.provix.net](http://www.provix.net)**