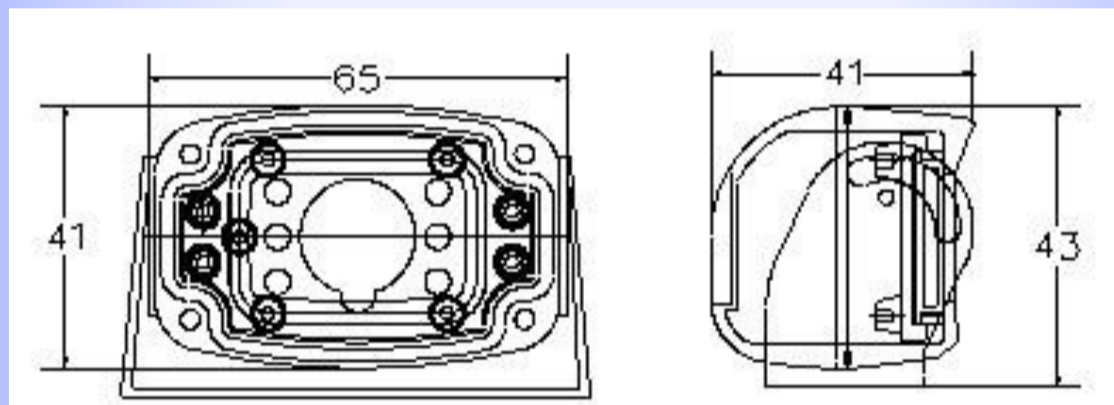


PR-505C90S



2.5 in. (W) X 1.6 in. (H) X 1.6 in. (D)

MODEL	PR-505C90S
Image Device	1/3" Interline Transfer CCD
Total Number of Pixels	542(H) ´ 492(V)
Number of Effective Pixels	512(H) ´ 492(V)
Video System (TV Mode)	NTSC
Resolution (Horizontal)	320 TV Lines
Video Output	Composite Video Output (1Vp-p, 75Ω, Unbalanced)
Minimum Illumination	0.1 LUX (F=2.0)
Electronic Shutter	1/60 ~ 1/10,000 sec 1/50 ~ 1/10,000 sec
Supply Voltage	DC +12V(±10 %)
Power Consumption	150 mA(Max)
Operating Temperature	-30°C to ~ 60°C / 22°F to ~ +140°F
Storage Temperature	- 40 ~ 75 ?
Dimensions	65mm (W) X 41mm (H) X 41mm (D)
Dimensions	2.5 in. (W) X 1.6 in. (H) X 1.6 in. (D)
Weight (Approx)	0.2kg Including bracket
Cable	10 meters, waterproof

**Provix Cameras and Digital Recording Systems
are available from your local dealer or
online at
www.provix.net**